

JFP-BL BACK-LIT LED FLAT PANEL TROFFER SERIES

Product Description

The JADEMAR JFP-BL Series has back-lit technology that eliminates the need for an acrylic light guide resulting in significantly increased performance and competitive prices. Our diffuser with UV-inhibitors offers great value while ensuring no yellowing of the lens.

JFP-BL Flat Panels are commercial luminaires utilizing an advanced LED optical system to achieve superior performance. It provides high uniformity, excellent efficiency and reduced glare in T-grid ceiling applications as well as surface mount and pendant installations.

Features

- Multiple sizes, lumen packages and CCT's available.
- Extensively tested, high quality LEDs and driver.
- UL and DLC Premium Listed.
- Linear driver integrated into side of panel saves space in shipping.
- Driver has integral j-box and push-in connectors for easy installation.
- Includes T-grid clips for additional safety.
- Surface mount and pendant mount kits available.

Optical Parameters

- SDCM <5
- UGR <22
- BEAM ANGLE 120°
- Fixture Color RAL 9001
- Material: PMMA Lens / PS diffuser
- Frame: Aluminum
- Back cover housing: Zinc-coated Iron

Mounting Options

- Ceiling type T-bar (STS), Suspension or surface optional
- Light source Non-replaceable LED module



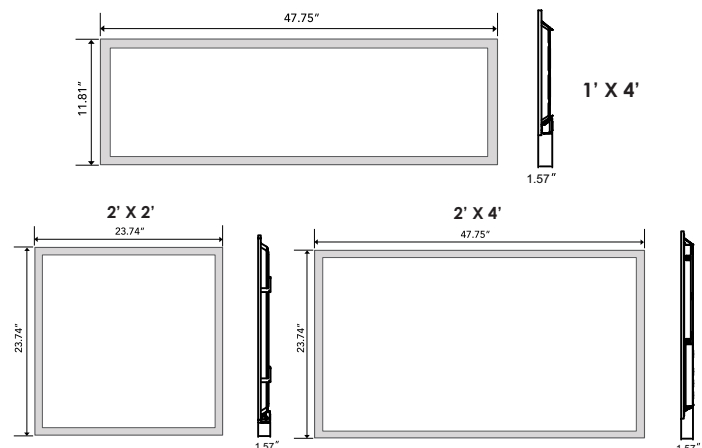
Performance Summary

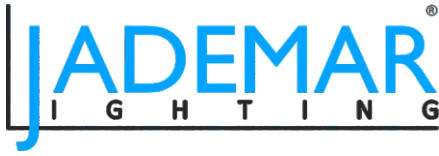
Sizes	1'x4', 2'x2', and 2'x4'
Input Power	1' X 4' = 25W / 30W / 40W 2' X 2' = 20W / 25W / 30W / 36W 2' X 4' = 25W / 30W / 40W / 50W
Efficacy	125Lms/W on average
CCT	3500K / 4000K / 5000K
CRI	>80
Input Voltage	100-277VAC or 120-347V
Dimming	0-10V Dimming
Lifetime	L70 @ 183,000 / L80 @ 143,000 / L90 @ 121,000
Warranty	10 Years Limited

Certifications & Compliance



Product Dimensions





SPECIFICATION SUBMITTAL DETAIL

Project Name/Type:		Date:
Catalog/Part #:		

JFP Back-Lit Flat Panel Troffer Series - DLC Premium

Ordering Information / Example: [JFP-BL-22-20W-P-35K-D-EM15](#)

Product Series	Size	Wattage	DLC	Input Voltage	CCT	CRI	Dimming	Options
JFP-BL	22 (2 x 2)	20W 25W 30W 36W	P (Premium) Efficacy 130 Lms/W	Blank (120-277VAC) Standard	35K (3500K) 40K (4000K) 50K (5000K)	Blank (80 CRI) Standard	D (0-10V Dimming) Standard	BMW0 (Bi-Level Microwave Occupancy Sensor) Standard EM15 (15W EM BB Unit)
	24 (2 x 4)	30W 40W 50W						
	14 (1 x 4)	25W 30W 40W						

JFP Back-Lit Flat Panel Troffer Series - DLC Standard

Ordering Information / Example: [JFP-BL-22-20W-35K-D-EM15](#)

Product Series	Size	Wattage	DLC Certification	Input Voltage	CCT	CRI	Dimming	Options
JFP-BL	22 (2 x 2)	20W 25W 30W 36W 40W 50W	Blank (Standard) Efficacy 105 Lms/W	Blank (120-277VAC) Standard	30K (3500K) 35K (3500K) 40K (4000K) 50K (5000K)	Blank (80 CRI) Standard	D (0-10V Dimming) Standard	BMW0 (Bi-Level Microwave Occupancy Sensor) Standard EM15 (15W EM BB Unit)
	24 (2 x 4)	30W 40W 50W						
	14 (1 x 4)	25W 30W 40W						

Performance and Electrical Data

Model	JFP-BL-22								JFP-BL-24								JFP-BL-14							
Standard Dimensions	2' x 2'								2' x 4'								1' x 4'							
Maximum Dimensions (L x W x H)	23.74" x 23.74" x 1.57"								23.74" x 47.75" x 1.57"								11.81" x 47.75" x 1.57"							
DLC Certified (Premium or Standard)	P	S	P	S	P	S	P	S	P	S	P	S	P	S	P	S	P	S	P	S	P	S		
Nominal Watts	20W		25W		30W		36W		40W	50W	30W		40W		50W		25W		30W		40W			
Lumens (Lms)	2600	2100	3250	2625	3900	3150	4680	3780	4200	5250	3900	3150	5200	4200	6500	5250	3250	2625	3900	3150	5200	4200		
Efficacy (Lms/W)	130	105	130	105	130	105	130	105	105	105	130	105	130	105	130	105	130	105	130	105	130	105		
Weight (Lbs)	4.41 lbs.								8.82 lbs.								4.63 lbs.							
Input Voltage (VAC)	120-277VAC 50/60Hz																							
Power Factor	>0.9																							
CCT Options (K)	3500K / 4000K / 5000K (3000K on Standard Option Only)																							
CRI	>80																							
Ambient Working Temp.	-20°C +40°C (-4°F to 104°F)																							
THD @ 120VAC (%)	<20%																							
Calculated L70 Lifespan (Hrs.)	<60,000Hrs																							
Ingress Protection	ETL Damp Location																							
Control Specification	0-10VDC Continuous Dimming Standard																							
Beam Angle / Field Angle (Nominal)	120°																							
Construction	Aluminum Back cover housing: Zinc-coated Iron																							
Certifications	ETL / Damp Location																							
Lifetime Based on TM21	L70 @ 183,000 / L80 @ 143,000 / L90 @ 121,000																							
Limited Warranty	10 Yrs.																							



Miami, FL USA - info@jademar.com
 T: 305.640.0465 - F: 305.640.0468
WWW.JADEMAR.COM



Information contained herein is subject to change without notice.
 Values are nominal.
 Revised 03/2021