



Model #
JICS-BT-SODS

Surface Mount PIR Occupancy and Daylight Harvesting Sensor for Bluetooth Controller

FEATURES

- On/OFF Control Function.
- 0-10V Dimming Function.
- Bluetooth Mesh.
- Mobile APP Setting, IOS & Android APP support.
- Remote Control Microwave Motion sensor and Input.
- PIR Sensor 15M Max
- Photo Sensor
- Sensitivity and Delay Time Setting.
- Operating Temperature: -40°C ~45°C
- 5-YR Warranty



Download the APP
JADEMAR LIGHTING'S "JPTR SPACE"
Available in IOS and Android

TECHNICAL DATA

Input Characteristics		
Voltage(Vdc)	Power(W)	Current(mA)
12 - 24	1	50

Output Characteristics		
Dimming	Voltage(Vdc)	Current(mA)
	0-10	0.1 - 20mA

MECHANICAL DATA

LENGTH	WIDTH	HEIGHT
31.6mm	38mm	38mm
1.24"	1.50"	1.50"

CERTIFICATIONS

- UL Listed, Complies with UL8750 Safety Regulations
- Dry or Damp Location
- Sound Rated Class A
- LED CLASS 2
- IP65
- FCC ID: TBD



Changes or modifications not expressly approved by the party responsible for compliance could void the user's authority to operate the equipment.

This device complies with Part 15 of the FCC Rules. Operation is subject to the following two conditions: (1) this device may not cause harmful interference, and (2) this device must accept any interference received, including interference that may cause undesired operation.

Note: This equipment has been tested and found to comply with the limits for a Class B digital device, pursuant to Part 15 of the FCC Rules. These limits are designed to provide reasonable protection against harmful interference in a residential installation. This equipment generates, uses, and can radiate radio frequency energy, and if not installed and used in accordance with the instructions, may cause harmful interference to radio communications. However, there is no guarantee that interference will not occur in a particular installation.

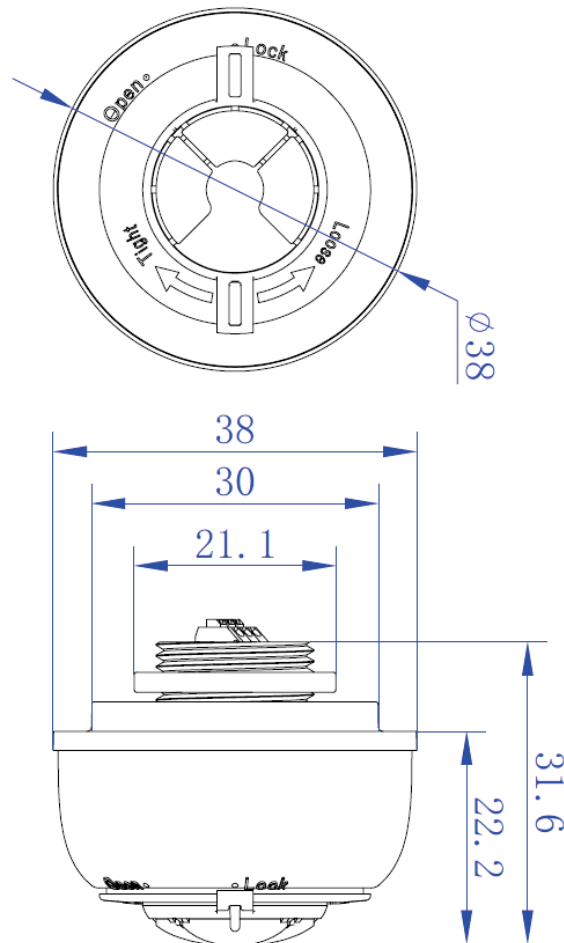
If this equipment does cause harmful interference to radio or television reception, which can be determined by turning the equipment off and on, the user is encouraged to try to correct the interference by one or more of the following measures:

- Reorient or relocate the receiving antenna.
- Increase the separation between the equipment and receiver.
- Connect the equipment into an outlet on a circuit different from that to which the receiver is connected.
- Consult the dealer or an experienced radio/TV technician for help.

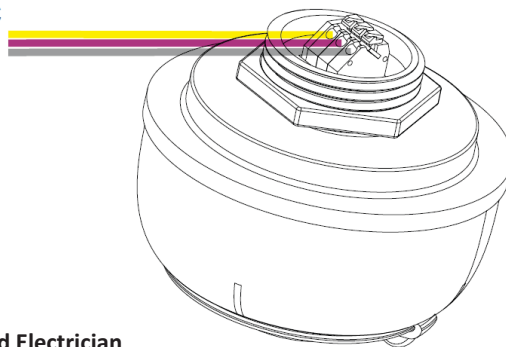
This equipment complies with FCC radiation exposure limits set forth for an uncontrolled environment. This equipment should be installed and operated with a minimum distance of 20cm between the radiator & your body. This transmitter must not be co-located or operating in conjunction with any other antenna or transmitter.



WIRING DIAGRAMS



12~24VDC
10VDC+
GND



NOTE:
This Driver Must Be Installed By a Licenced Electrician
This Driver Must Be Grounded

